



**John
BOOS**
Since 1887

ITEM #: _____ QTY: _____
 MODEL #: _____
 PROJECT NAME: _____

010220

3601 S. Banker St. Effingham, IL 62401 • P.O. BOX 609 • Ph: (888) 431-2667 • Fax: (800) 433-2667

"PBHS-14-1" PRO-BOWL HAND SINKS
W/ 1 HOLE CENTERED - FOR SPLASH MOUNT FAUCET



FEATURES:

- ONE PIECE DEEP DRAWN BOWL
- ALL SINK BOWLS HAVE LARGE LIBERAL RADIUS CORNERS
- INCLUDES BASKET DRAIN
- SPLASH MOUNT - ONE FAUCET HOLE ON-CENTER
- 1-1/2" DRAIN PLUMBING CONNECTION



PBHS-W-1410-1

CONSTRUCTION:

- BOWL: STAINLESS STEEL TOPS ARE TIG WELDED, EXPOSED WELDS ARE POLISHED TO MATCH ADJACENT SURFACE.



PBHS-W-1410-EE

MATERIAL:

- BOWL: TYPE 300 STAINLESS STEEL POLISH, SATIN FINISH
- BRACKET: TYPE 300 STAINLESS STEEL POLISH, SATIN FINISH



PBHS-W-1410-1-SSLR

PRO-BOWL HAND SINKS

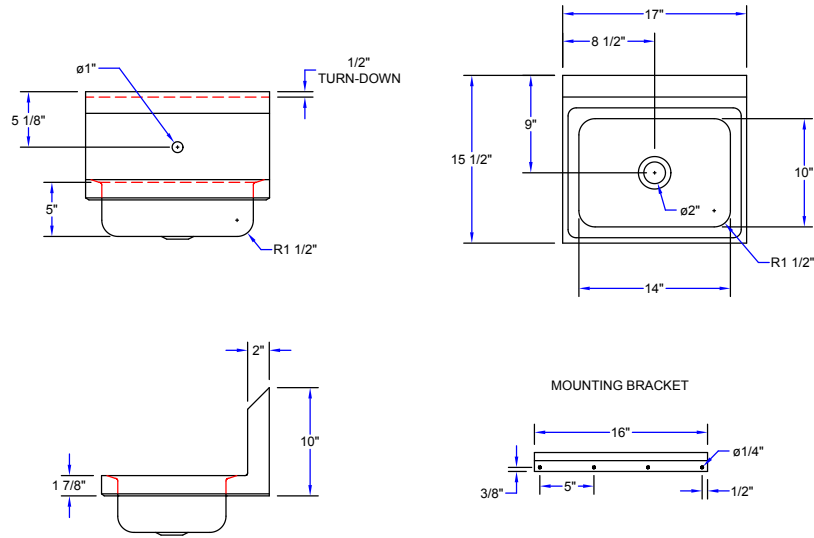
MODEL #	QTY
PBHS-W-1410-1	
PBHS-W-1410-EE	
PBHS-W-1410-1-SSLR	

OPTIONAL ACCESSORIES

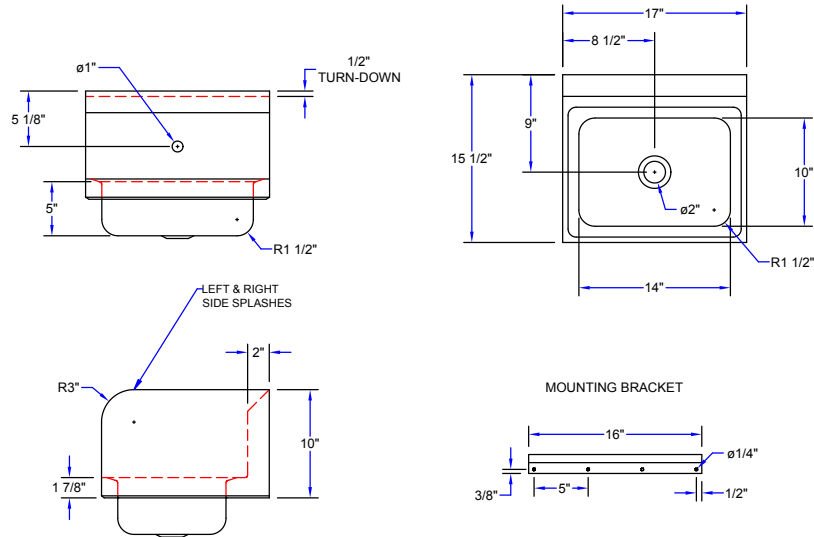
DESCRIPTION	QTY
FAUCETS	
SIDE SPASH	
ADA WRIST BLADES	
TOWEL DISPENSER	
SOAP DISPENSER	
LEVER WASTES	
OVER FLOWS	
P-TRAPS	

DETAILED SPECIFICATIONS

PBHS-W-1410-1, PBHS-W-1410-EE



PBHS-W-1410-1-SSLR



PRO-BOWL HAND SINKS

MODEL #	BOWL SIZE (LxWxD)	DRAIN SIZE	FAUCET LOCATION	SIDE SPLASH
PBHS-W-1410-1	14" X 10" X 5"	1-7/8"	SPLASH MOUNT - 1 HOLE CENTERED	N/A
PBHS-W-1410-EE	14" X 10" X 5"	1-7/8"	SPLASH MOUNT - 1 HOLE CENTERED (PBF-SEF3GLF FAUCET INCLUDED)	N/A
PBHS-W-1410-1-SSLR	14" X 10" X 5"	1-7/8"	SPLASH MOUNT - 1 HOLE CENTERED	LH & RH

SOME UNITS SHIP UNASSEMBLED FOR REDUCED SHIPPING COST. ALL DIMENSIONS ARE TYPICAL. TOLERANCE +/- .500"

John Boos & Co. is constantly engaged in a program of improving products and therefore reserves the right to change specifications without prior notice.



3601 S. Banker St. • Effingham, IL 62401 • PO BOX 609 • quotes@johnboos.com

www.johnboos.com

010220

766